



Baguettes – Special shapes

Terracotta façades rainscreen cladding –
back-ventilated – heat-insulated





Founder Credit Union, USA
Architects: Little, North Carolina, USA
Colour: natural red
Special shape: baguettes 60 x 60 mm and 50 x 86 mm

ALPHATON® terracotta façades

In the early 80's the architect, professor Thomas Herzog, became interested in the concept of a curtained ceramic façade and together with the Möding roof tile plant developed this into a system.

This system was the impetus for the Argeton façade that has been produced by Möding for more than 20 years, and which has been used on thousands of square meters of façade.

Following the acquisition by Girnhuber GmbH in 2001, the façade system was further developed and the use of the Argeton product name was dispensed with. A separate sales company, Moeding Keramikfassaden GmbH, was founded.

Argeton turned into ALPHATON®.

Over recent years, planners' desires for increasingly customized façade solutions have become extremely apparent. To fulfill these desires, the maximum size of the ALPHATON® and LONGOTON® tiles has been increased. Many building-specific customized solutions have been created and diverse tile surfaces with three-dimensional structures have already been manufactured. Furthermore, shading or design elements made from tile material have also been used for many properties.

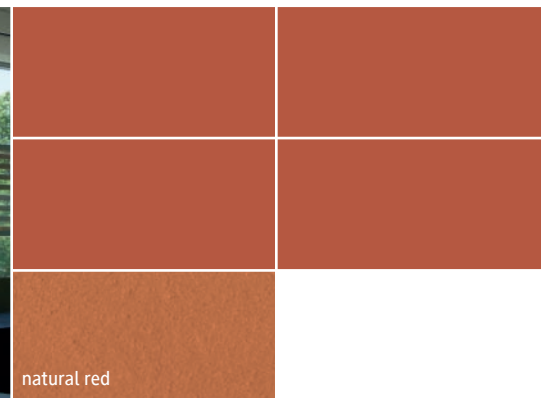
Material and colours

Thanks to its ideal characteristics, the traditional tile material blends in perfectly with both new and historic architectural forms. Over decades, it ages with an elegant patina.

The materials, haptics and natural colours of special elements, shading elements and design elements all perfectly match the MOEDING façade tiles. The special elements are available in many different natural tile colours. Project-specific special colours are also possible.

The natural tile colours are the inherent colours of the ceramic body, which means that neither cuts nor surface damage can cause the appearance of a visually disturbing, different-coloured body.

Powerful glaze colours, which are usually developed with the planner on a project-specific basis, are particularly popular.



natural red

Baguettes as a sunscreen in front of windows or glass façades

Baguette façade elements are often used as square tubes. In front of windows or glass façades, the baguettes act as an effective yet attractive sunscreen. As the material and haptics of the baguettes match those of the terracotta façades, they blend harmoniously into the overall façade picture. The baguettes can take on the façade pattern.

Baguettes as square tubes are available in many sizes from 40x40 mm to 90x90 mm.

As an alternative to the commonly used square tubes, customized cross sections are also possible. Whether circular, oval or wing-shaped – the planner's creativity knows no bounds.

Individual tile elements can have lengths of up to 1,000 mm. If larger widths need to be spanned, it is possible to use a system-specific aluminum tube to join multiple tile elements to form a single prefabricated element. Lengths of up to 2,500 mm can therefore be realized. All tile colours glazed or non glazed in the MOEDING ALPHATON® and MOEDING LONGOTON® colour range are available.





special colour

ECE-Rathaus Galerie shopping mall, Leverkusen

Architects: HPP Bau- und Projektmanagement GmbH, Düsseldorf

Façade system: MOEDING ALPHATON®

Colour: special colour

Special shape: baguettes

Surface: special surface

Baguettes as a design element in front of closed façade surfaces

Their technical projects, the design options and the haptic experience that they offer make baguettes ideal for creating a sense of harmony in front of closed surfaces.

They can create special effects that make the overall façade less harsh and more structured.

Ventilation openings, air conditioning systems and other installations can therefore be easily and attractively integrated into the overall façade concept.





volcano grey

University hospital in Akershus/Oslo, Norway

Architects: Arkitektfirmaet C. F. Møller A/S, Århus C, Denmark

Façade system: MOEDING ALPHATON®

Colour: volcano grey

Special shape: baguettes

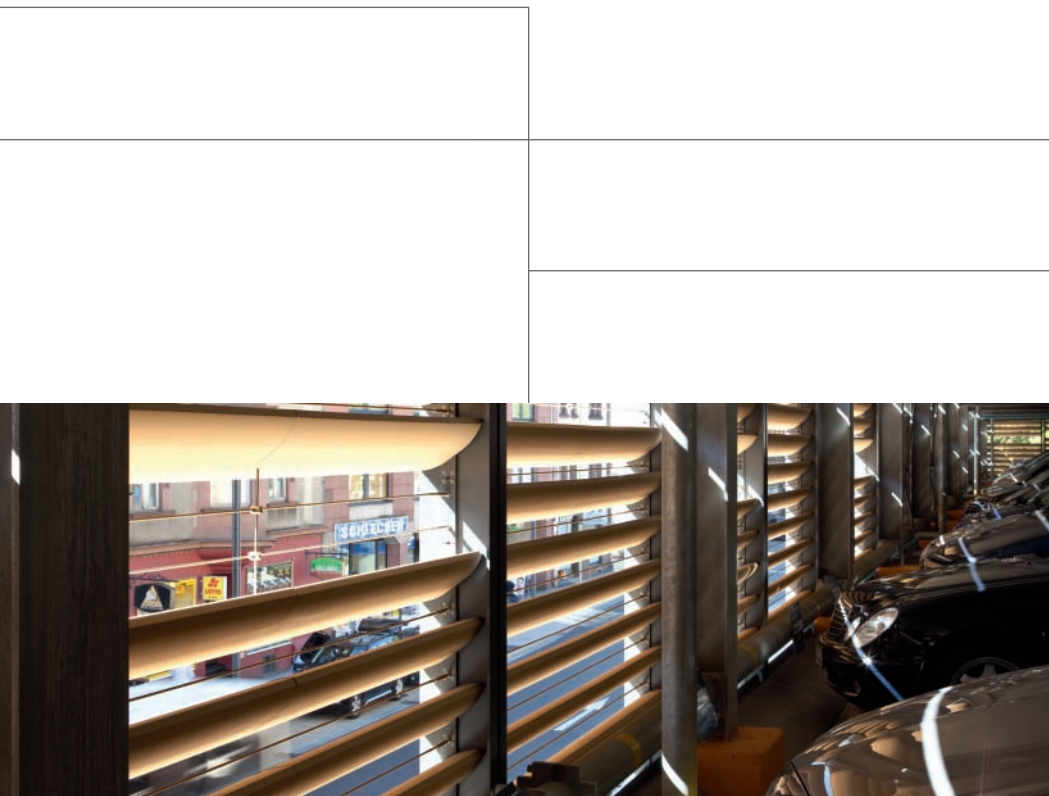
Surface: standard

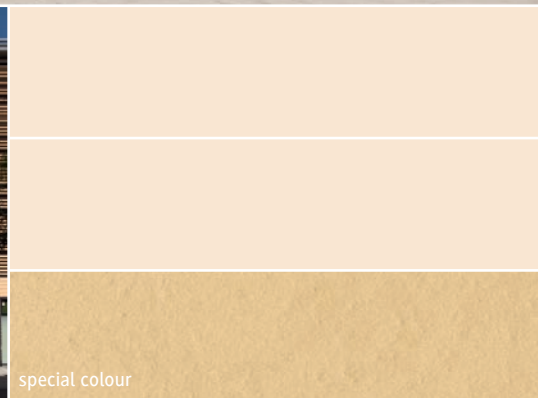
Baguettes in multi-story parking lots

One special usage scenario for MOEDING baguettes is on multi-story parking lots.

Parking lots in downtown locations in particular have high demands when it comes to design. Furthermore, the façade material must be non-flammable, let in natural light and provide sufficient ventilation.

These requirements are ideally fulfilled by MOEDING baguettes.





Aschaffenburg central rail station, Aschaffenburg, Germany
 Architects: Architekturbüro Kammerl + Kollegen, Pfaffing
 Façade system: MOEDING LONGOTON®
 Colour: special colour
 Special shape: baguettes
 Surface: standard, grooved

Baguettes and special tiles combined

One special option is the combination of baguettes with a square cross section and other special tiles.

The surface of the tiles is designed so that the form of the baguettes continues onto the tiles. This strengthens the homogeneous appearance of the façade.



special colour

Museum Philadelphia, USA

Architects: Ennead Architects, New York, USA

Façade system: MOEDING LONGOTON®

Colour: special colour

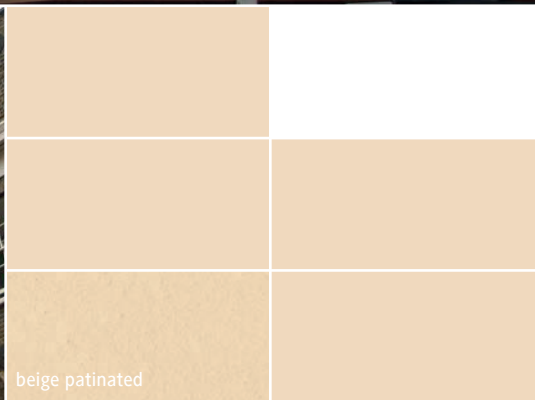
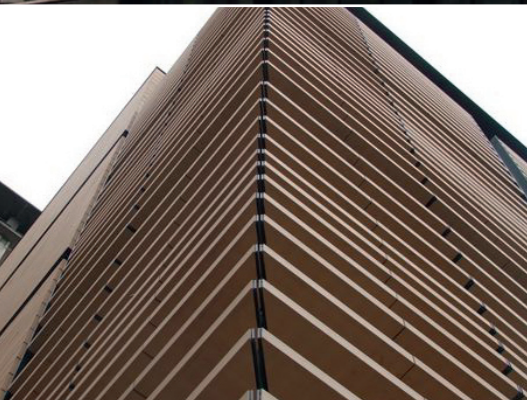
Special shape: baguettes, Special shape

Surface: standard

Square baguettes with an oblong cross section

As an alternative to the square cross section, baguettes can also be manufactured with an oblong cross section. The oblong cross section creates a more solid look with a greater sense of depth.





beige patinated

UCL London, GB
Architects: Grimshaw and Partners, GB
Façade system: MOEDING ALPHATON®
Colour: beige patinated
Special shape: baguettes

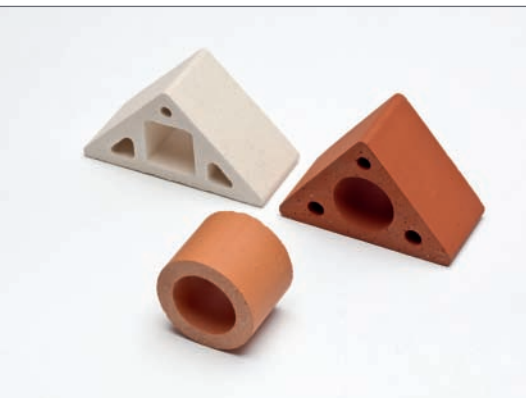
Triangular baguettes

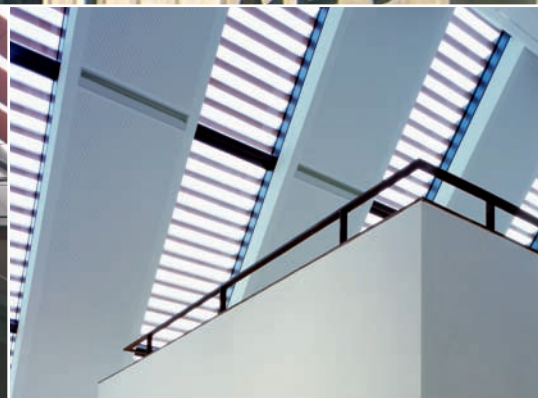
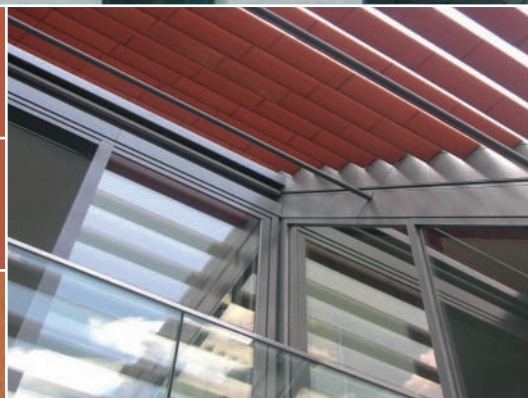
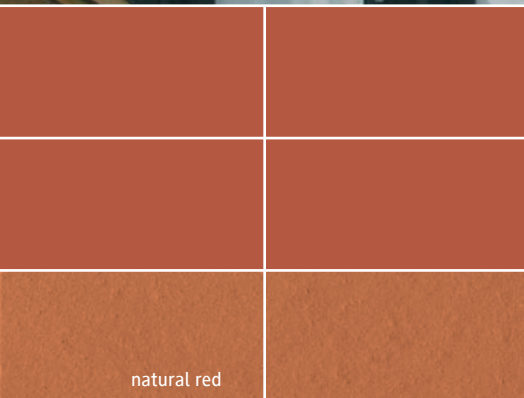
Baguettes with a triangular cross section are particularly suited as shading elements for glass surfaces on tile-covered, sloping roofs.

For example, the triangular shape of the baguette can precisely match the roof slope and create a harmonious image of the roof area as a whole.

While the users of the top floor can enjoy natural light, observers from the street simply see a closed tile surface.

This solution is not only perfect for the protection of historic buildings, but also creates a more attractive and, above all, more valuable living area beneath the roof.





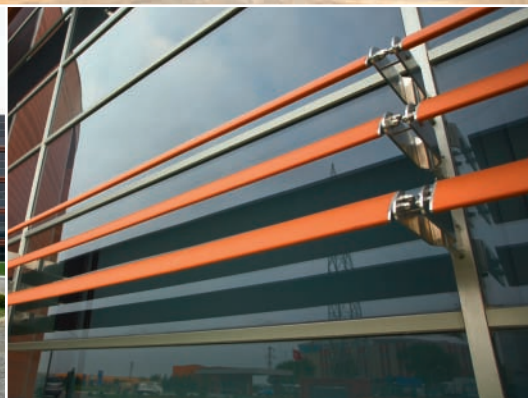
Alter Hof (loggia recesses), Munich
Architects: Auer + Weber + Architekten, Munich
Façade system: MOEDING ALPHATON®
Colour: natural red
Special shape: baguettes

Ovale baguettes

The use of shading elements with an oval cross section is particularly popular in front of transparent glass façades.

The oval cross section shape gives the elements a light appearance. Depending on the usage scenario, the shading elements can be installed horizontally or at an angle.





oxide red

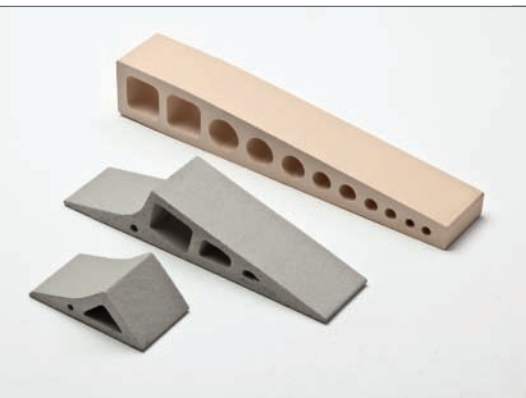
Mercedes-Benz Head Office, Istanbul, Turkey
Architects: Turgut Alton Mimarlik, Istanbul, Turkey
Façade system: MOEDING ALPHATON®
Colour: oxide red
Special shape: baguettes
Surface: standard

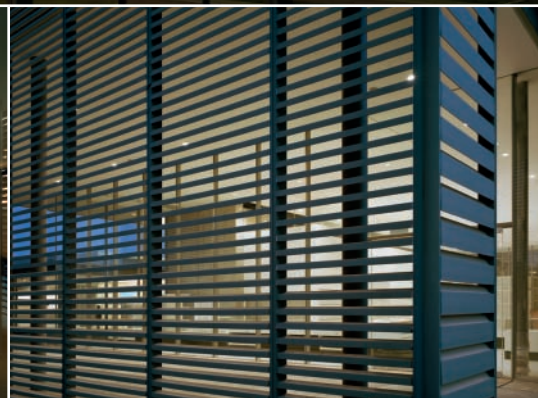
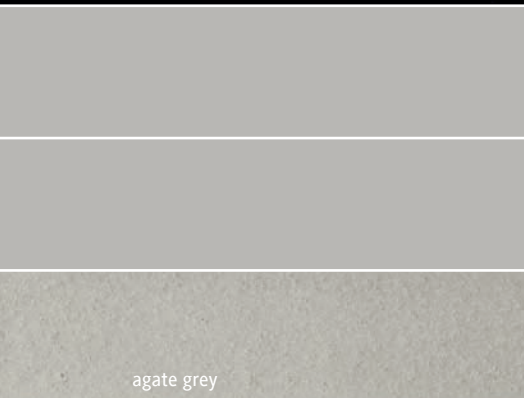
Shading elements for targeted daylight management

As a result of increasing energy costs, controlled daylight management is becoming ever more important. The darkening effect conflicts with the desired shading effect, which can create substantial energy savings when cooling buildings. The shading elements darken rooms to an extent that artificial light is often required.

The innovative use of ceramic shading elements can minimize the darkening effect. One option is to mount shading elements in a mobile format. The rotatable mounting of the shading elements makes it possible to manage the darkening effect in a targeted manner. In addition to the higher investment cost for a drive and control system, however, such systems also require more maintenance.

A light management effect can also be achieved with rigid-mounted shading elements if the cross section of the shading elements is tailored to the natural conditions.





agate grey

Museum

Architects: James Carpenter Design Ass. Inc., New York, USA

Façade system: MOEDING LONGOTON®

Special colour: agate grey

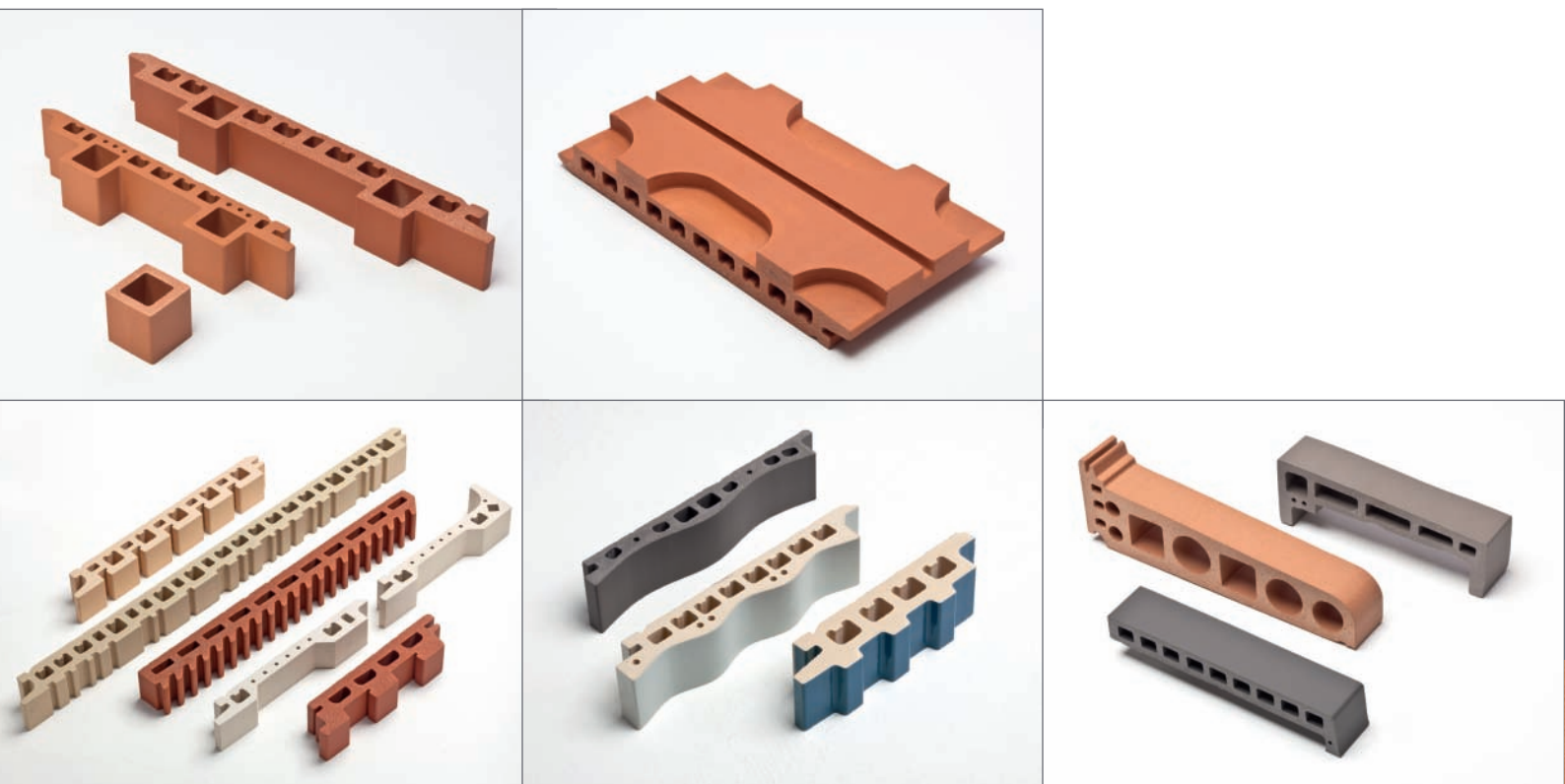
Special shape: baguettes

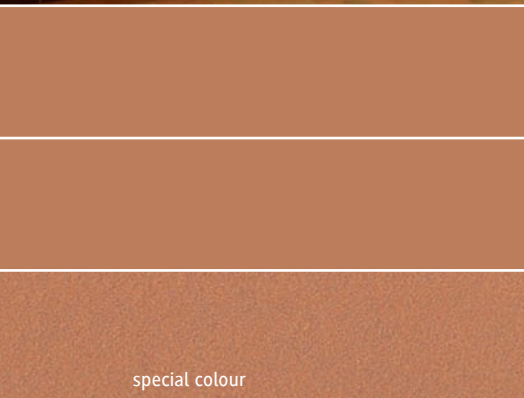
Special shapes

Architects and planners are continually placing higher demands on manufacturers of ceramic façade systems. More and more elements are used that can no longer be manufactured using the conventional extrusion procedure.

Thanks to over 100 years of experience in manufacturing ceramic materials, MOEDING can supply hand-made special elements.

The special elements are developed in close cooperation with the planner. During the development process, equal weighting is given to both the design of the special elements in line with the planer's specifications and the ability to simple and securely mount the special element. Every highly complicated special element must satisfy the high demands placed on a MOEDING terracotta façade.





special colour



Museum Philadelphia, USA

Architects: Ennead Architects, New York, USA

Façade system: MOEDING LONGOTON®

Colour: special colour

Special shape: special shapes

Surface: standard

Fastening technology

The ability to fasten shading elements securely and simply is of major importance in façade construction. The fastening options for the shading elements are therefore as diverse as the usage options. Despite the vast range of designs, standardized fastening solutions can often be used. At the sites where the standardized solutions cannot be used, MOEDING works in close cooperation with the planer and the company carrying out the work to develop project-specific fastening solutions.

The most common standardized fastening solution for shading elements is the MOEDING Rapid for fastening baguettes. This comprises aluminum base plates and aluminum baguette holders. The base plates each have two sunken boreholes for attachment to the on-site bracing. A special stainless steel spring is integrated into the base plate.

The baguette holders are in the same shape as the tile baguette and have a recess in the shape of the base plate.

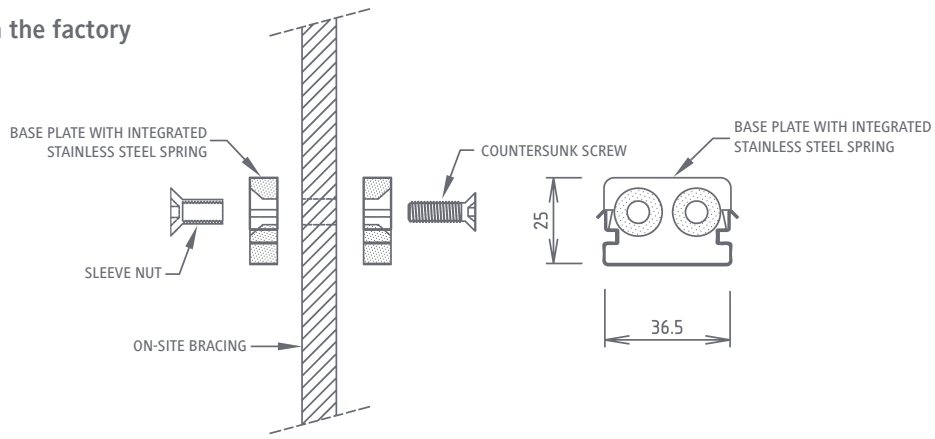
The base plates with integrated stainless steel springs can be pre-assembled on the substructure in the workshop by the company carrying out the work. The tile baguettes arrive at the construction site with pre-assembled baguette holders and are simply clicked into the base plates without any need for tools. No more screws are required at the construction site.

The stainless steel spring integrated into the base plate locks into place in the baguette holder and secures the baguette against any unintentional removal. Speed and safety are not mutually exclusive.

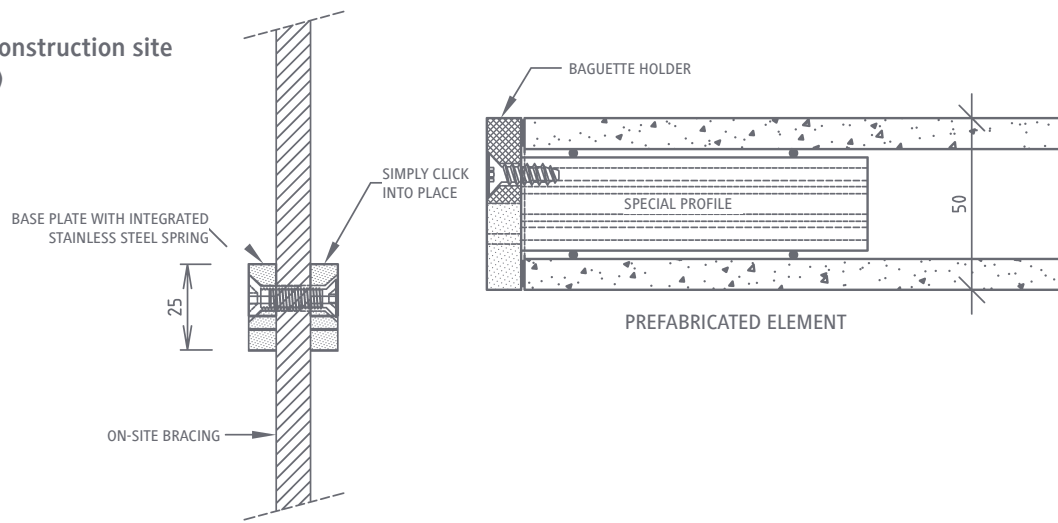
The baguette holders are available for all common baguette cross sections (e.g. square tubes, oblong tubes).

Baguette holders for the Rapid system can also be supplied for project-specific special cross sections of baguettes (e.g. wing-shaped).

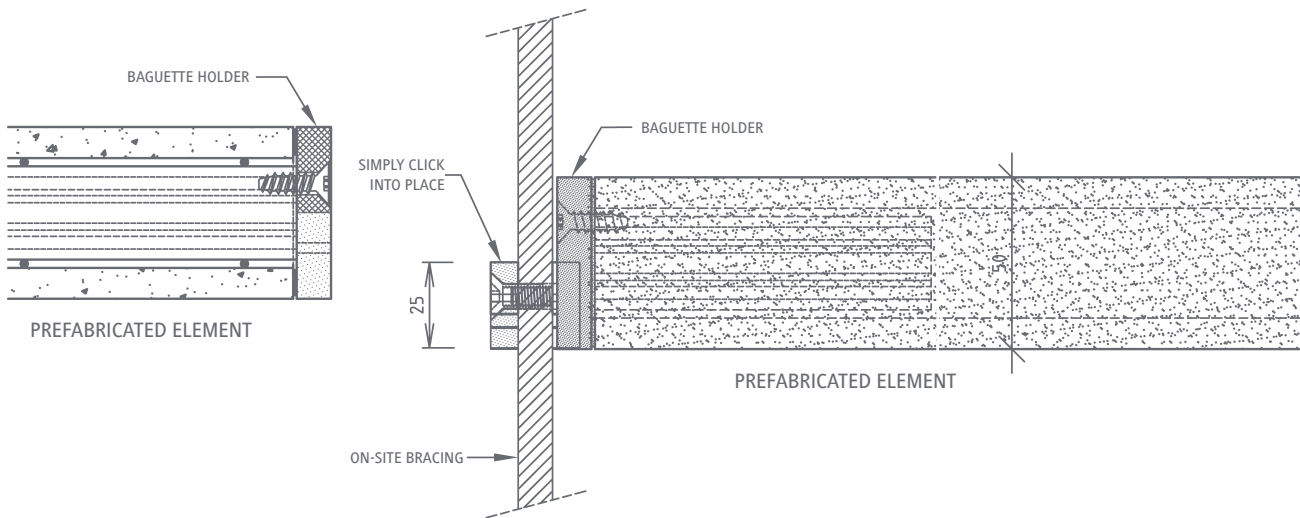
1. Pre-assembly in the factory



2. Mounting at the construction site (no tools required)



3.

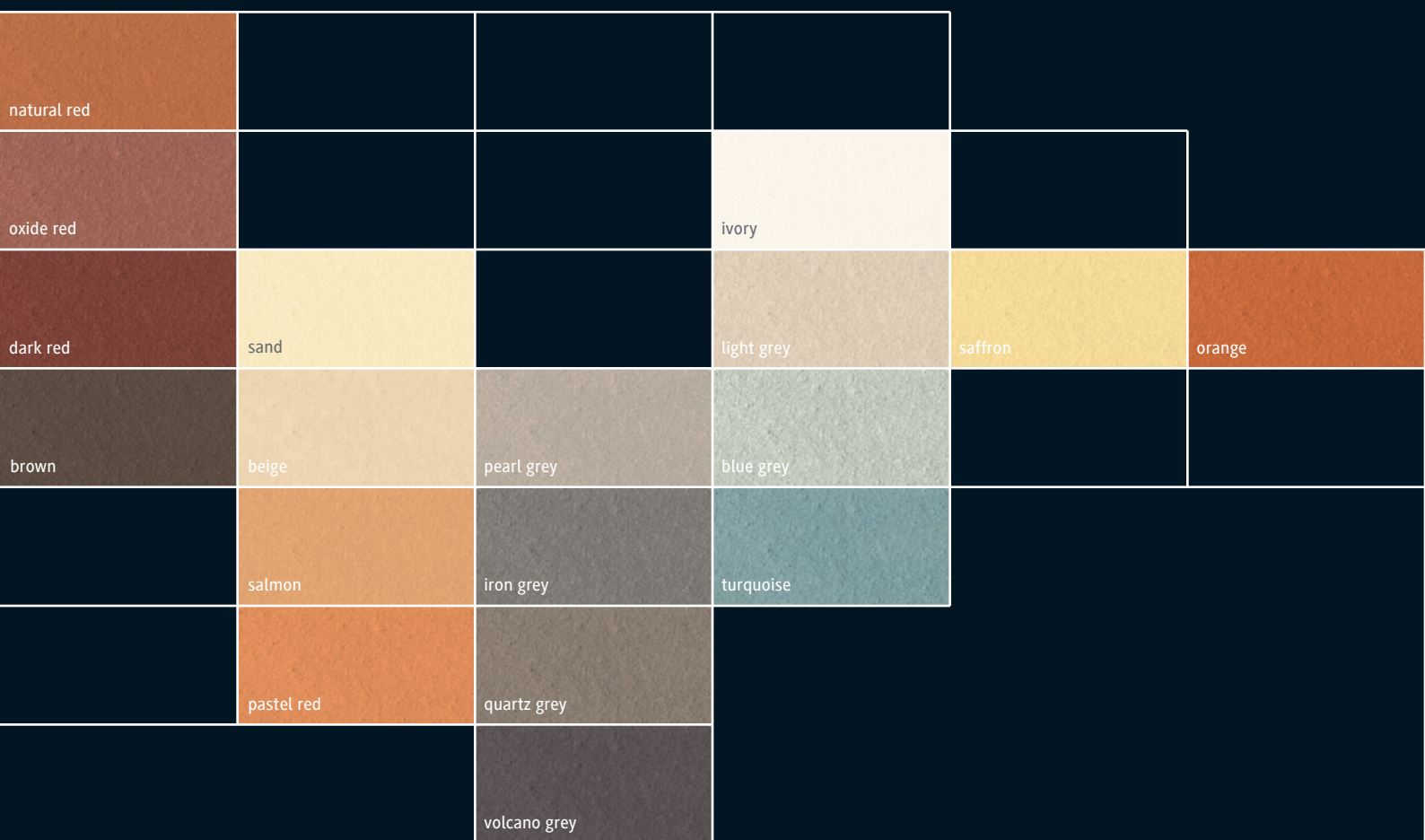


Colours

The shading elements and special elements can all be supplied in the broad natural colour spectra available for MOEDING ALPHATON® and MOEDING LONGOTON®. The decision as to which of the two colour spectra can be used must be individually agreed on the basis of the design desired by the planner. Special colours are possible on request.

Of course, glazes can also be used. The glaze colours shown here represent but a few of the many options. Customized colours can be developed on the basis of common colour systems e. g. RAL.

	champagne	
brick red	amber	
ruby red	rosé	titanium grey
carmine red	bright red	graphite grey
chestnut brown		volcano grey
	cream	light blue
	terracotta beige	grey green
	terracotta yellow	



	white glazed			
	grey glazed			
	black glazed	yellow glazed		
	green glazed	orange glazed		
	blue glazed	red glazed		
		brown glazed		



Moeding Keramikfassaden GmbH
Ludwig-Girnghuber-Straße 1
84163 Marklkofen
Germany
Fon +49 (0) 87 32/246-00
Fax +49 (0) 87 32/246-69
Internet: www.moeding.de

